

QWCA-10-1 WR-10 to 1.0mm

Features:
* Low VSWR

Applications:
* Wireless
* Transmitter
* Laboratory Test
* Radar

Electrical

Frequency:	75~110GHz
VSWR:	1.4 max.
Insertion Loss:	1.3dB max.
Impedance:	50Ω

Mechanical

RF Connectors:	1.0mm
Interface:	WR-10
Flange:	UG-387/U
Material:	Gold plated brass
Outer Conductor:	Passivated stainless steel
Dielectric:	PE
Inner Conductor:	Gold plated beryllium copper

How To Order

QWCA-10-X-Y

X: Connector type.

Y: End launch: E, Right angle: R.

Connector naming rules:

1 - 1.0mm Male (Outline A)

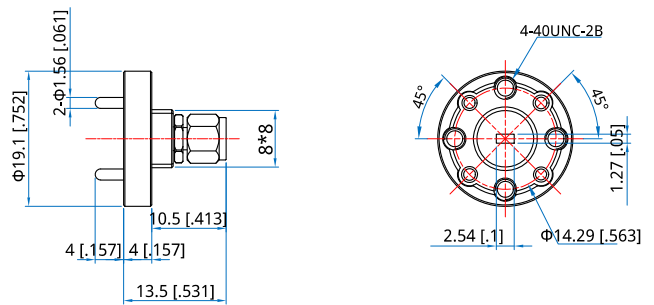
1F - 1.0mm Female (Outline B)

Examples:

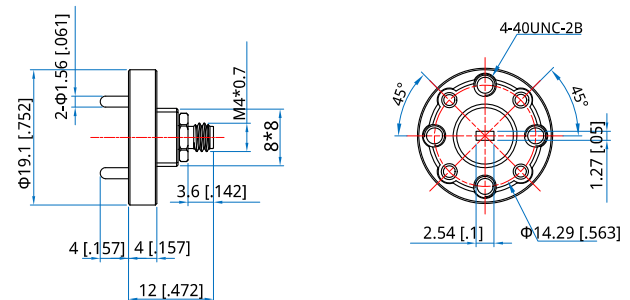
To order a waveguide to coax adapter, WR-10 to 1.0mm female, end launch, specify QWCA-10-1F-E.

Customization is available upon request.

Outline Drawings



Outline A



Outline B

Unit: mm [in]

Tolerance: ±0.2mm [±0.008in]