

QBT-5000-20000

5~20GHz

Features:
 * Broadband
 * Small Size

Applications:
 * Telecom
 * Satcom
 * Laboratory Test
 * Instrumentation

Electrical

Frequency: 5~20GHz
 Insertion Loss: 0.7dB max.
 VSWR: 2 max.
 Voltage: +10V DC
 Average Power: 2W

Mechanical

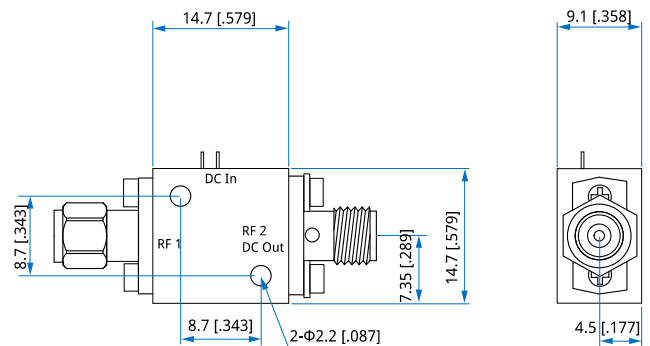
Size^{*1}: 14.7*14.7*9.1mm
 0.579*0.579*0.358in
 Connectors: SMA
 Power Supply & Control Interface: Solder Pin & Terminal Post
 Mounting: 2-Φ2.2mm through-hole

[1] Exclude connectors.

Environmental

Operating Temperature: -40~+70°C
 Non-operating Temperature: -55~+85°C

Outline Drawings



Unit: mm [in]
 Tolerance: ±0.2mm [±0.008in]

How To Order

QBT-5000-20000

Customization is available upon request.