

QCT1802

DC~18GHz, 2W

Features:
 * Low VSWR
 * Broadband

Applications:
 * Transmitters
 * Antennas
 * Laboratory Test
 * Impedance Matching

Electrical

Frequency: DC~18GHz
 Average Power*1: 2W@25°C max.
 Impedance: 50Ω

[1] Derated linearly to 0.1W@120°C.

VSWRR

Frequency (GHz)	Connectors vs VSWR (Max.)		
	N	TNC	SSMA
DC~4	1.2	1.2	1.15
DC~8	1.25	1.25	1.2
DC~12.4	1.3	1.35	1.25
DC~18	1.2	1.4	1.3

Mechanical

Connectors: N, TNC, SSMA

Environmental

Temperature: -55~+125°C

How To Order

QCT1802-X-Y

X: Frequency in GHz
 Y: Connector type

Connector naming rules:

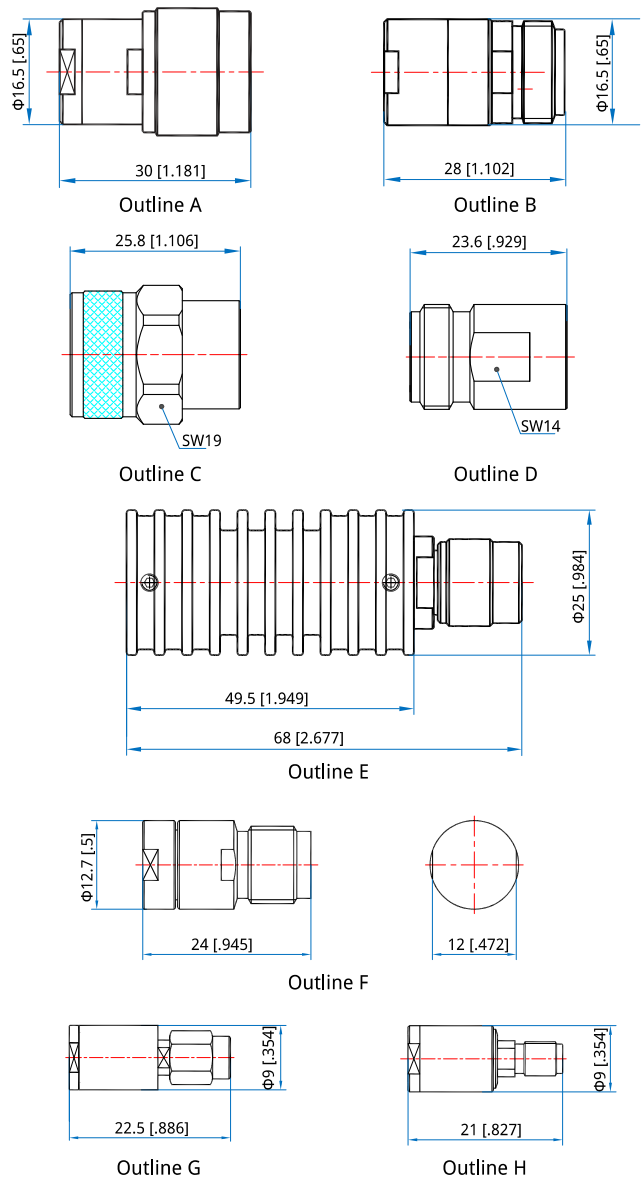
N - N male (DC~4GHz, DC~8GHz, DC~12.4GHz, N Male, Outline A ; DC~18GHz, N Male, Outline C)
 NF - N female (DC~4GHz, DC~8GHz, DC~12.4GHz, N Female, Outline B ; DC~18GHz, N Female, Outline D)
 T - TNC male (Outline E)
 TF - TNC female (Outline F)
 A - SSMA male (Outline G)
 AF - SSMA female (Outline H)

Examples:

To order a termination, DC-12.4GHz, N male, specify QCT1802-12.4-N.

Customization is available upon request.

Outline Drawings



Unit: mm [in]
 Tolerance: $\pm 1\text{mm}$ [$\pm 0.04\text{in}$]