

QFA5005

DC~50GHz, 5W

Features:
 * Low VSWR
 * High Attenuation Flatness

Applications:
 * Wireless
 * Transmitter
 * Laboratory Test
 * Radar

Electrical

Frequency: DC~50GHz
 Attenuation: 1~10dB, 20dB, 30dB
 Impedance: 50Ω
 Average Power*1: 5W@25°C max.

[1] Derated linearly to 0.25W@120°C.

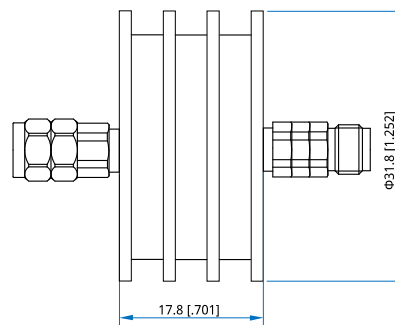
Mechanical

RF Connectors: 2.4mm
 Housing: Aluminum
 Dielectric: PEI
 Outer Conductor: Passivated stainless steel
 Male Inner Conductor: Gold plated brass
 Female Inner Conductor: Gold plated beryllium copper

Environmental

Temperature: -55~+125°C

Outline Drawings



Unit: mm [in]
 Tolerance: ±2mm [±0.08in]

Attenuation Accuracy and VSWR

Frequency (GHz)	Attenuation Accuracy (±dB) vs. Attenuation (dB)			VSWR (max.)
1~10	20	30		
DC~50	-1.0/+1.2	-1.0/+1.2	-1.0/+1.2	1.3

How To Order

QFA5005-X-Y-Z

X: Frequency in GHz

Y: Attenuation in dB

Z: Connector type

Connector naming rules:

2 - 2.4mm

Examples:

To order an attenuator, DC~50GHz, 2.4mm male to 2.4mm female, 20dB attenuation, specify QFA5005-50-20-2.