

QWCA-137-NF-E

WR-137 to N female, End launch

Features:
* Low VSWR

Applications:
* Wireless
* Transmitter
* Laboratory Test
* Radar

Electrical

Frequency: 5.38–8.17GHz
VSWR: 1.2 max.

Mechanical

RF Connectors: N female
Interface: WR-137
Flange: FDP70
Material: Aluminum

Environmental

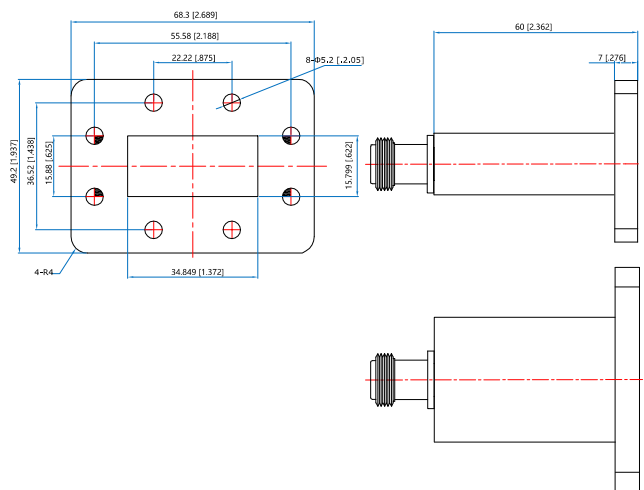
Temperature: -20~+65°C

How To Order

QWCA-137-NF-E

Customization is available upon request.

Outline Drawings



Unit: mm [in]

Tolerance: $\pm 0.2\text{mm}$ [$\pm 0.008\text{in}$]