

QBT-18000-40000-K

18~40GHz

Features:
 * Broadband
 * Small Size

Applications:
 * Telecom
 * Satcom
 * Laboratory Test
 * Instrumentation

Electrical

Frequency:	18~40GHz
Insertion Loss:	1.2dB max.
VSWR:	2 max.
Voltage/Current:	+50V DC/1A
Power Consumption:	50W max.
Average Power:	30W min.

Mechanical

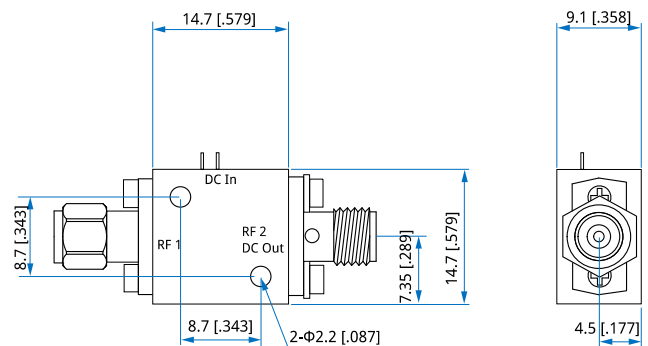
Size* ¹ :	14.7*14.7*9.1mm 0.579*0.579*0.358in
Connectors:	2.92mm
Power Supply & Control Interface:	Solder Pin & Terminal Post
Mounting:	2- Φ 2.2mm through-hole

[1] Exclude connectors.

Environmental

Operating Temperature:	-40~+70°C
Non-operating Temperature:	-55~+85°C

Outline Drawings



Unit: mm [in]
 Tolerance: ± 0.2 mm [± 0.008 in]

How To Order

QBT-18000-40000-K

Customization is available upon request.